

## Soil Extractors SE D, SE S

For removing soil from potatoes, onions, carrots etc



SE S 1200x7

SE soil extractors are designed to remove soil from potatoes, onions, carrots etc before grading. The rotating shafts are fitted with rubber or nylon discs (SE D) or star-shaped sections (SE S), depending on the products and the type of soil to be extracted. The rollers are driven by a geared

motor.

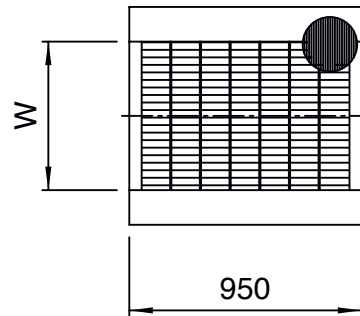
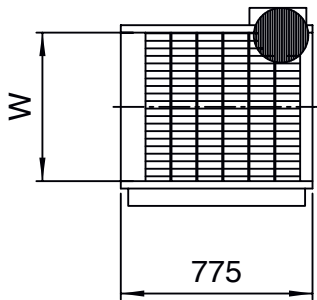
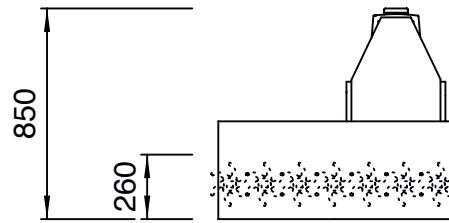
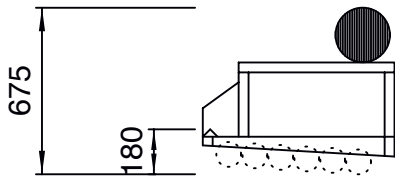
Soil extractors are available in various widths and with differing numbers of rollers, to meet different capacity requirements



SE D 800x6

SE D

SE S



|                |           |           |            |            |            |
|----------------|-----------|-----------|------------|------------|------------|
| Soil extractor | SE D600x6 | SE D800x6 | SE D1200x6 | SE D1500x6 | SE D2000x6 |
|                | SE S600x7 | SE S800x7 | SE S1200x7 | SE S1500x7 | SE S2000x7 |
| Capacity, t/h  | 2-6       | 6-10      | 10-20      | 16-45      | 25-100     |
| Soil extractor | SE D600x8 | SE D800x8 | SE D1200x8 | SE D1500x8 | SE D2000x8 |
| Capacity, t/h  | 2-8       | 6-15      | 10-30      | 16-50      | 25-100     |

For all above versions:

|                             |   |      |      |      |      |
|-----------------------------|---|------|------|------|------|
| Riddle width (W), mm        | 600   | 800  | 1200 | 1500 | 2000 |
| Motor output, kW            | 0,37  | 0,37 | 0,75 | 1,5  | 2,2  |
| Length (L), mm              | SE D 6 rollers: 800 mm, SE S 7 rollers: 950 mm, SE D 8 rollers: 1000 mm |      |      |      |      |
| Electrical connections..... | option  |      |      |      |      |

Soil extractors are manufactured with riddle meshes to individual specifications. Version SE D is available with either 6 or 8 shafts, version SE S with 7 shafts. Ex-

tractors can be combined with soil output conveyors. Version SE S is also available with riddle mesh adjustable by means of a crank.

Extractors are also available with netting mats (version SE B). See separate data sheet.

- Electrical connections
- Leg frame and platform
- Versions in stainless steel

Aterförsäljare: