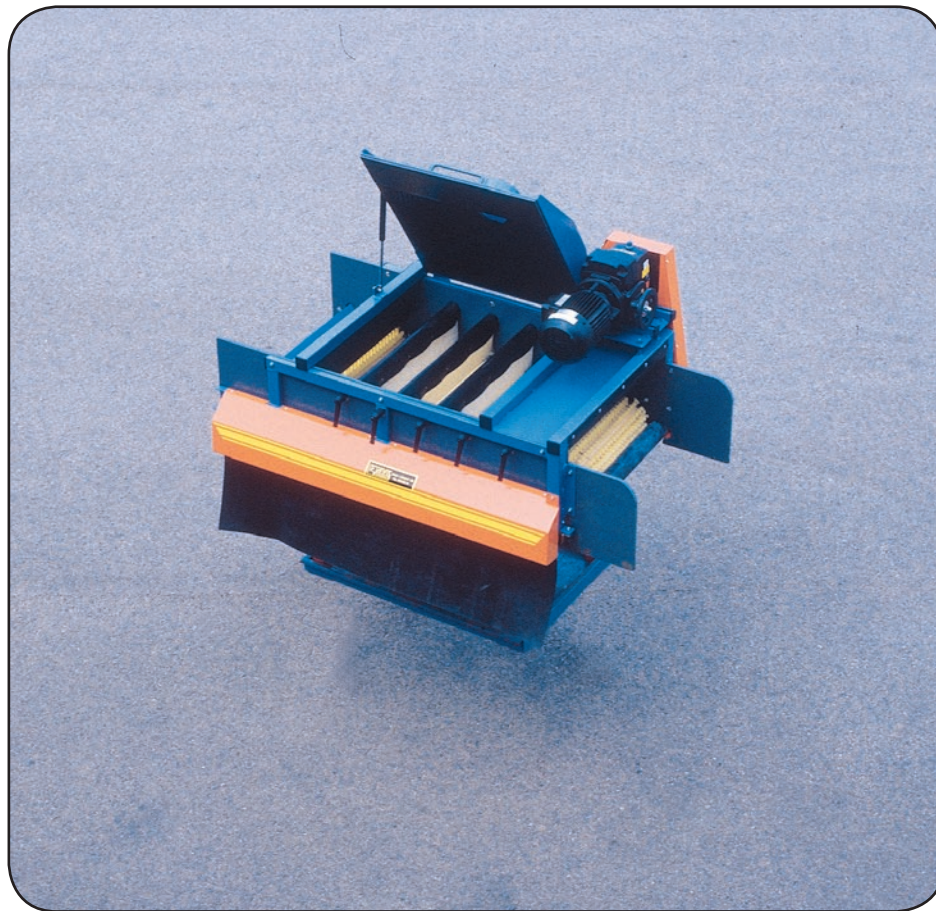


Brushing Machine BM

For brushing potatoes and other products

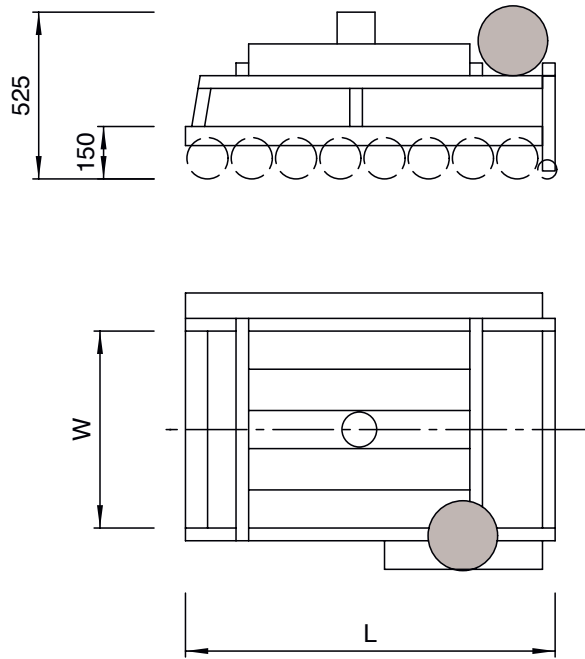


BM V625x8 brushing machine

These machines are designed for brushing vegetables clean after a soil extractor. Two different versions are available, offering different bypass methods where no brushing is required.

Version G machines are fitted with a damper that can be opened for bypassing e.g. via a conveyor belt under the machine.

Version V machines are fitted with a variator and feature minimum possible fall height. By covering the brush rollers with a plastic belt and reducing the speed, the brushing machine can be used as a conveyor when brushing is not required.



Length (L)	800 mm (versions with 5 rollers), 1180 mm (versions with 8 rollers)
Width (W).....	625, 775, 1000 or 1200 mm
Drive unit	0,75 kW motor with variator (version V machines)
Electrical connections	option

Version V machines are fitted with a driven rubber roller at the drop point that reduces the height of the fall to the next machine.

Machines are available in various widths, fitted with 5–8 rotating brush rollers and 3–5 plastic fibre

brushes above them.

On the top of the machine there is a cover that can be opened it also includes connection of an extractor fan.

Machines in other dimensions and versions are available to individual specifications.

Electrical connections
 Versions with/without variator
 Bypass conveyors (version G machines)
 Bypass belt (version V machines)
 Available in stainless steel

Återförsäljare: